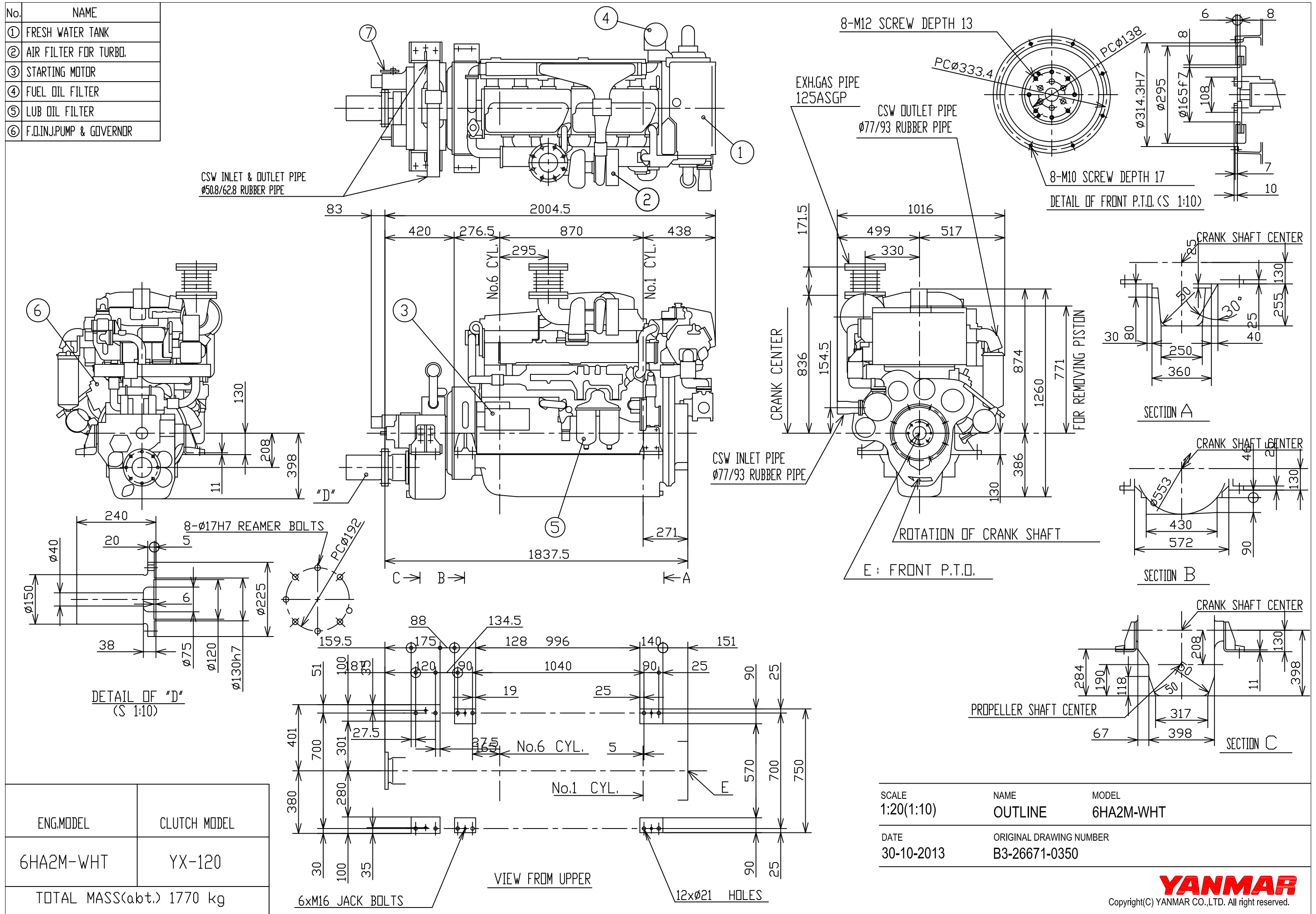


No.	NAME
①	FRESH WATER TANK
②	AIR FILTER FOR TURBO.
③	STARTING MOTOR
④	FUEL OIL FILTER
⑤	LUB OIL FILTER
⑥	F.O.INJ.PUMP & GOVERNOR



ENG.MODEL	CLUTCH MODEL
6HA2M-WHT	YX-120
TOTAL MASS(abt.) 1770 kg	

SCALE	NAME	MODEL
1:20(1:10)	OUTLINE	6HA2M-WHT
DATE	ORIGINAL DRAWING NUMBER	
30-10-2013	B3-26671-0350	

YANMAR
Copyright(C) YANMAR CO.,LTD. All right reserved.